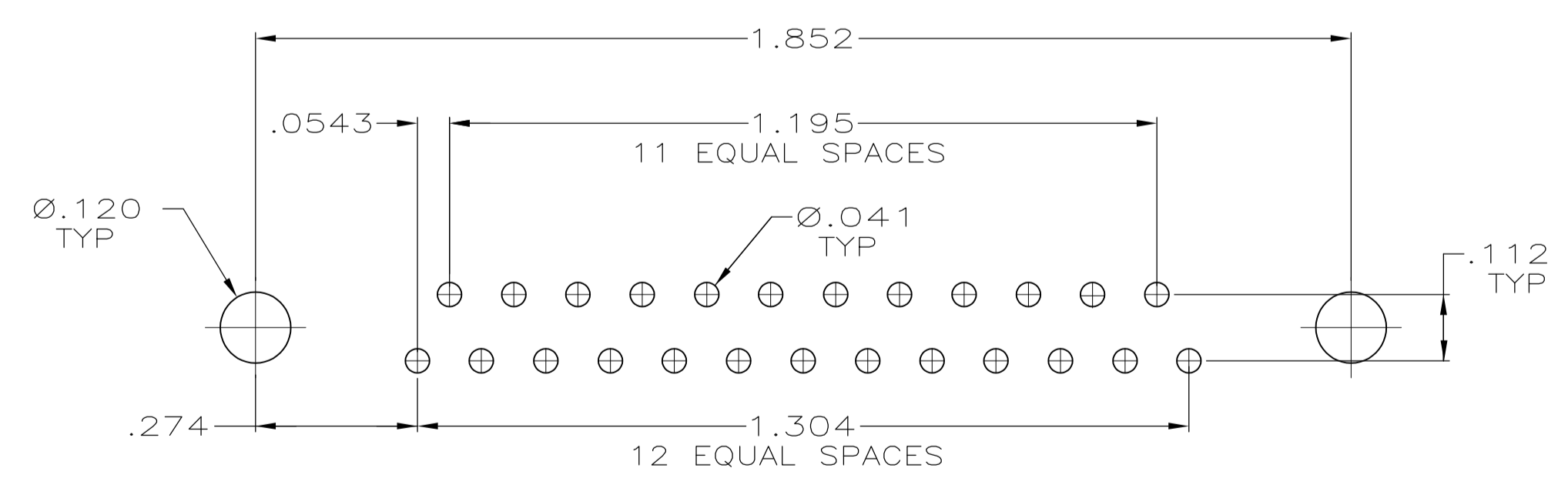
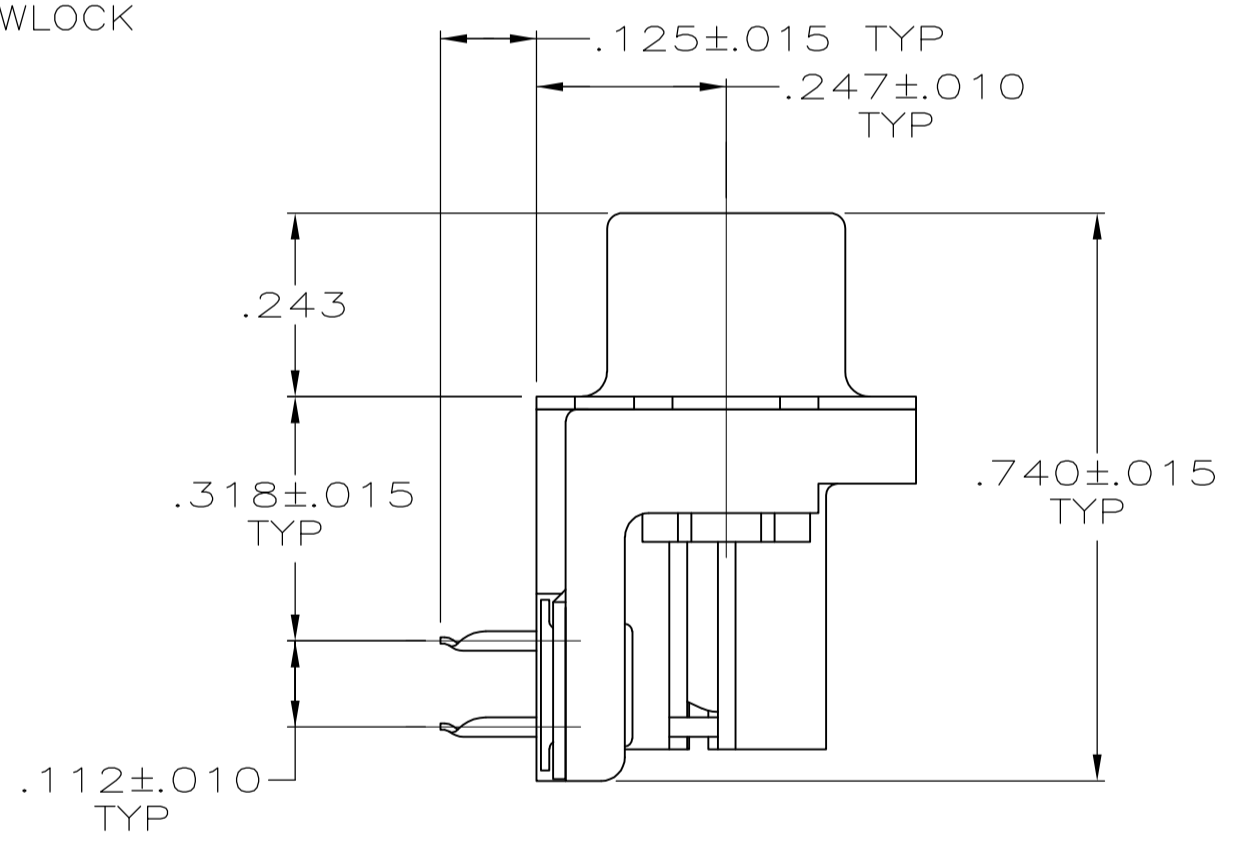
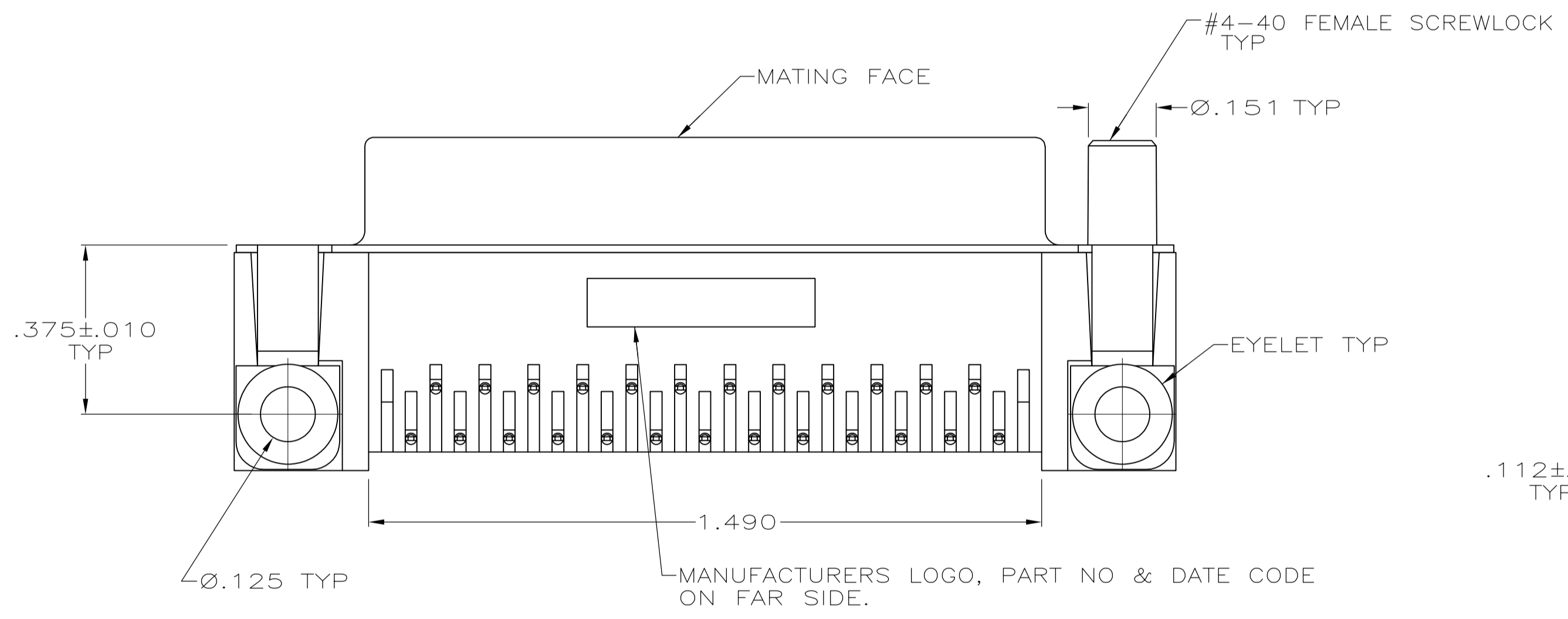


- 1 MOLDED PARTS: FLAME RETARDANT 94V-0 RATED THERMOPLASTIC, BLACK.
SHELL: CARBON STEEL
CONTACTS: PHOSPHOR BRONZE
EYELETS: BRASS
SCREWLOCKS: ZINC
INSERTS: ZINC
- 2 SHELL: .000100 MIN TIN OVER .000050 MIN COPPER.
CONTACTS: SEE TABLE
EYELETS: .000100 MIN TIN OVER COPPER FLASH.
SCREWLOCKS: CLEAR CHROMATE
INSERTS: CLEAR CHROMATE
- 3 GOLD FLASH FOR A DISTANCE OF .100 MIN FROM MATING END, .000100 MIN TIN ON OPPOSITE END, ALL OVER .000050 MIN NICKEL.
- 4 .000030 MIN GOLD FOR A DISTANCE OF .100 MIN FROM MATING END, .000100 MIN TIN ON OPPOSITE END, ALL OVER .000050 MIN NICKEL.



RECOMMENDED P.C. BOARD MOUNTING DIMENSIONS

DETAIL M
FOR -5 & -6 ONLY

FEMALE SCREWLOCKS	4	5745783-6
FEMALE SCREWLOCKS	3	5745783-5
THREADED INSERTS	4	5745783-4
THREADED INSERTS	3	5745783-3
NONE	4	5745783-2
MOUNTING HARDWARE	CONTACT FINISH	PART NUMBER

THIS DRAWING IS A CONTROLLED DOCUMENT.

DIMENSIONS: INCHES	TOLERANCES UNLESS OTHERWISE SPECIFIED:	0 PLC ± -	1 PLC ± -	2 PLC ± -	3 PLC ± .005	4 PLC ± -	ANGLES ± °
--------------------	--	-----------	-----------	-----------	--------------	-----------	------------

MATERIAL	FINISH	WEIGHT	SCALE	SHEET	REV
			4:1	1 of 1	P

STE TE Connectivity

RCPT ASSY, SIZE 3, 25 POSN, RTANG, AMPLITE HD-20, WITH METAL SHELL, WITH OR WITHOUT SCREWLOCKS OR INSERTS

108-40025

114-40010

00779 5745783

**COPYRIGHT 2005
TE CONNECTIVITY CORP
ALL RIGHTS RESERVED**